



Key Features

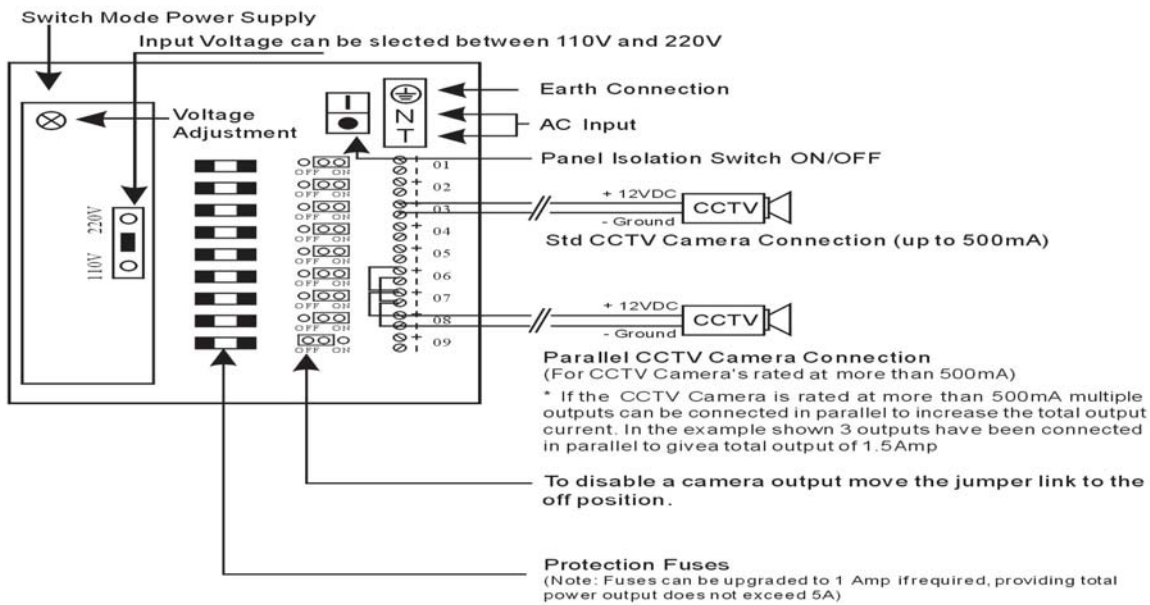
Parallel CCTV camera connections
 Input voltage AC 110~120V



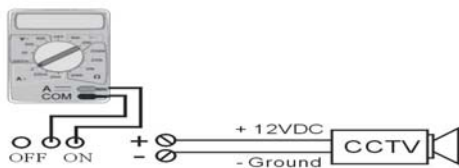
Specifications

**12VDC 9 OUTPUT SWITCH MODE
 CCTV POWER SUPPLY**

Connection Diagram:



Test & Measurement:



To determine the current(A) draw of a camera remove the jumper link, set your meter to A / Amps DC, and with the camera connected measure the current across the ON and COMMON terminals.



LED Fuse Status Indicator
 LED ON = Fuse OK
 LED OFF = Fuse Fault

Specifications:

Input Voltage: AC100~120V
 AC220~240V
 Output Current: 9 x 500mA fused outlets (7.5A Max)
 Output Power: 60W
 Dimensions(mm) : 240(L) x 210(W) x 65(H)

* For Indoor Use Only