



Key Features

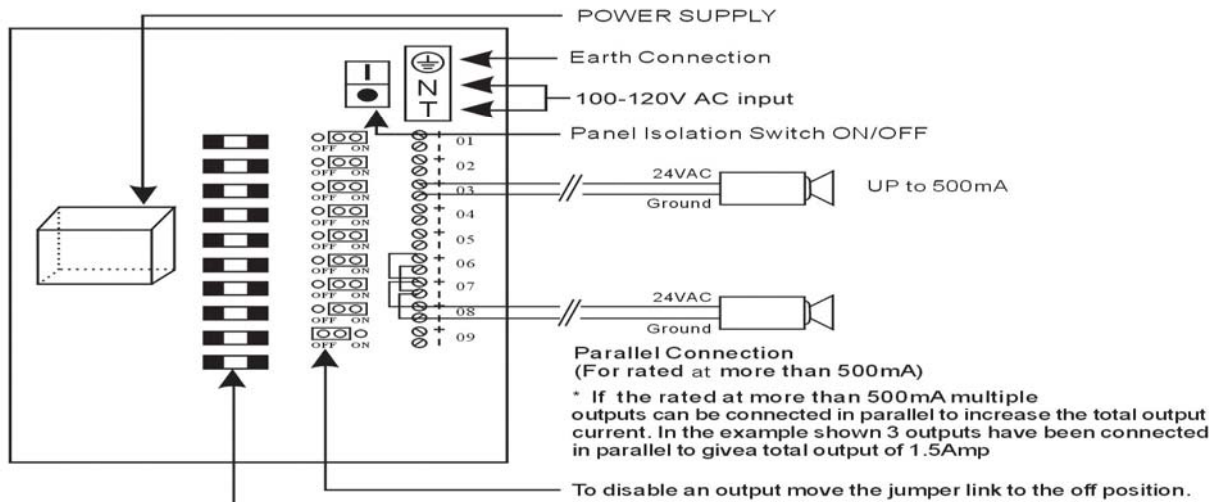
- Parallel CCTV camera connection
- Input voltage AC 110~120
- 5Amp



Specifications

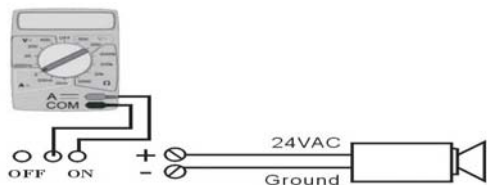
24V AC 9 OUTPUT POWER SUPPLY

Connection Diagram:



Protection Fuses
 (Note: Fuses can be upgraded to 1 Amp if required providing total power output does not exceed 6A)

Test & Measurement:



To determine the current(A), remove the jumper link, set your meter to ~A Amps AC, and with the Load connected measure the current across in ON and COMMON terminals.



Specifications:

- Input Voltage: 100-120V AC input
- Output Current: 9 X 500mA fused outlets (5A Max)
- Output Power: 145W
- Dimensions(mm):235(L) X 205(W) X 75 (H)

* For Indoor Use Only