



Intelligent Non-Relay Photoelectric Duct Smoke Detector

The InnovairFlex™ Series are the only duct smoke detectors flexible enough to fit configurations from square to rectangular and everything in between.

Features

- Photoelectric, integrated low-flow technology
- Air velocity rating from 100 ft/min to 4000ft/min (0.5m/s to 20.32m/sec)
- Versatile mounting options: square or rectangular configuration
- Broad ranges for operating temperature (-4F to 158F) and humidity (0% to 95% non-condensing)
- Patented sampling tube installs from front or back of the detector with no tools required
- New Cover tamper signal
- Increased wiring space with a newly added 3/4-inch conduit knockout
- Available space within housing to accommodate mounting of relay module
- Easily accessible code wheels on sensor head (sold separately)
- Clear cover for convenient visual inspection
- UL 268A listed
- Remote testing capability
- Requires com line power only
- NEMA Type 4 UL listed for non-hazardous indoor and outdoor applications (**DNRW only**)
- UV Resistant, UL listed housing and cover material (**DNRW only**)

Agency Listings



Innovairflex™

The InnovairFlex DNR intelligent non-relay photoelectric duct smoke detector and **DNRW** watertight non-relay photoelectric duct smoke detector feature a pivoting housing that fits both square and rectangular footprints capable of mounting to a round or rectangular duct.

DNRW duct smoke detector, with its NEMA 4 rating, is listed as a watertight enclosure providing protection against falling dirt, rain, and windblown dust, splashing and hose directed water, allowing operators to use the detector in the most extreme environments.

These units sense smoke in the most challenging conditions, operating in airflow speeds of 100 to 4000 feet per minute, temperatures of -4F to 158F, and a humidity range of 0 to 95 percent (non-condensing).

An improved cover design isolates the sensor head from the low-flow feature for simple maintenance. A cover tamper feature was added to indicate a trouble signal for a removed or improperly installed sensor cover. The InnovairFlex housing provides a 3/4-inch conduit knockout and ample space to facilitate easy wiring and mounting of relay module.

The InnovairFlex duct smoke detector can be customized to meet local codes and specifications without additional wiring. The new InnovairFlex product line is compatible with all previous Innovair models, including remote test accessories.

WARNING: Duct smoke detectors have specific limitations.

DUCT SMOKE DETECTORS ARE:

NOT a substitute for an open area smoke detector,
NOT a substitute for early warning detection, and
NOT a replacement for a building's regular fire detection system.
Refer to NFPA 72 and 90A for additional duct smoke detector application information.

InnovairFlex Duct Smoke Detector Specifications

Architectural/Engineering Specifications

The air duct smoke detector shall be a System Sensor InnovairFlex™ DNR Intelligent Non-Relay Photoelectric Duct Smoke Detector and DNRW Watertight NEMA4 Duct Smoke Detector. The detector housing shall be UL listed per UL 268A specifically for use in air handling systems. The flexible housing of the duct smoke detector fits both square and rectangular footprints. The detector shall operate at air velocities of 100 ft/min to 4000 ft/min (0.5 m/sec to 20.32 m/sec). The unit shall be capable of providing a trouble signal in the event that the sensor cover is removed or improperly installed. It shall be capable of local testing via magnetic switch or remote testing using the RTS451KEY remote test station. Terminal connections shall be of the strip and clamp method suitable for 12–18 AWG wiring.

Physical Specifications

Size: (Rectangular)	14.38 in (37 cm) Length; 5 in (12.7 cm) Width; 2.5 in (6.6 cm) Depth
(Square)	7.75 in (19.7cm) Length; 9 in (22.9cm) Width ; 2.5 in (6.35cm) Depth
Weight:	1.6 lb (0.73 kg)
Environmental Rating:	NEMA4 (DNRW only)
Operating Temperature Range:	–4°F to 158°F (–20°C to 70°C)
Storage Temperature Range:	–22°F to 158°F (–30°C to 70° C)
Operating Humidity Range:	0% to 95% relative humidity (non-condensing)
Air Duct Velocity:	100 to 4000 ft/min (0.5 to 20.32 m/s)

Electrical Ratings

Please see detector head installation manual for electrical specifications

Accessory Current Loads at 24 VDC

Device	Standby	Alarm
RA400Z	0 mA	12 mA Max.
RTS451/RTS451KEY	0 mA	12 mA Max.

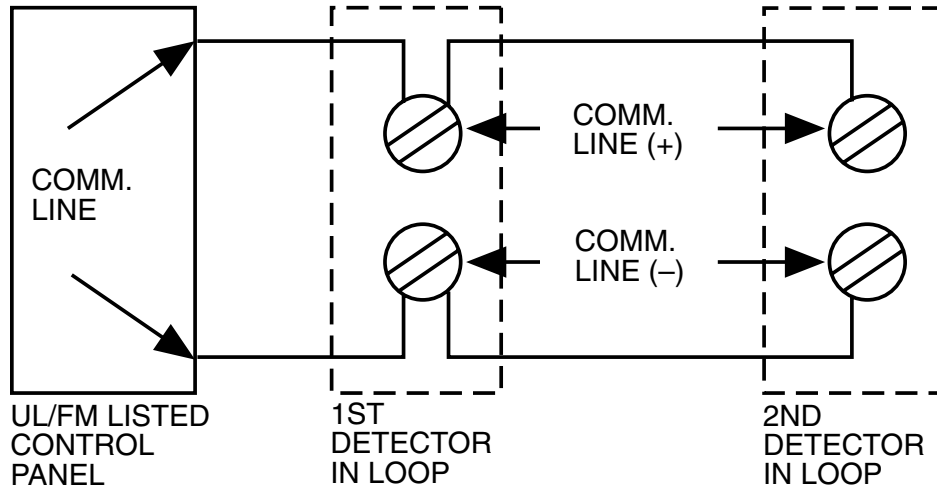
Installing the InnovairFlex Sampling Tube

The InnovairFlex sampling tube may be installed from the front or back of the detector. The tube locks securely into place and can be removed by releasing the front or rear locking tab (front locking tab shown below right).

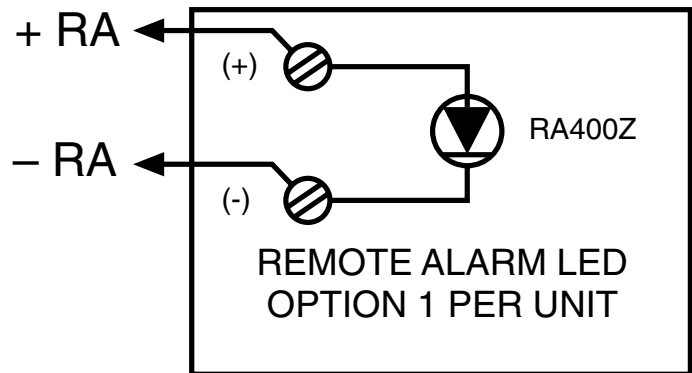


Wiring for Intelligent Non-Relay Duct Smoke Detector

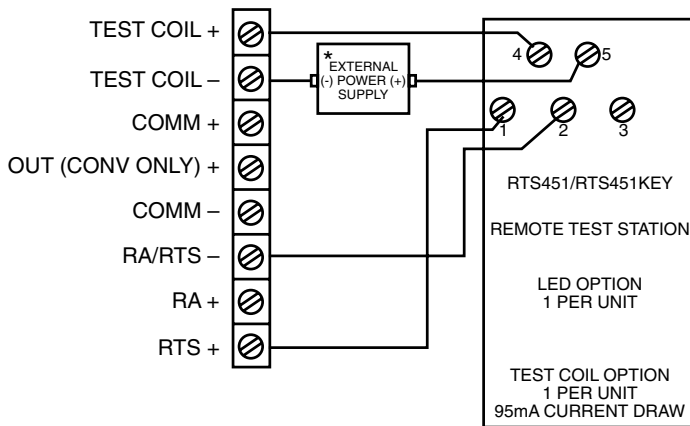
System wiring diagram for DNR:



DNR to RA400Z:



DNR to RTS451/RTS451KEY:



Important Notes:

- The use of either RTS451 or RTS451KEY requires the installation of an accessory coil, DCOIL, sold separately. Please refer to the DNR or DNRW installation manual for more information
- The RTS451/RTS451KEY test coil circuit requires an external 24 VDC power supply which must be UL listed.

Accessories

System Sensor provides system flexibility with a variety of accessories, including two remote test stations and different means of visible and audible system annunciation. As with our duct smoke detectors, all duct smoke detector accessories are UL listed.



RTS451 UL S2522



RTS451KEY UL S2522



RA400Z UL S2522

Ordering Information

Part No.	Description
DNR	Intelligent non-relay photoelectric low-flow duct smoke detector
DNRW	Watertight intelligent non-relay photoelectric low-flow duct smoke detector
Accessories	
DCOIL	Remote test coil required with RTS451/RTS451KEY
DST1	Metal sampling tube duct width up to 1ft (0.3m)
DST1.5	Metal sampling tube duct widths 1 ft to 2 ft (0.3 to 0.6 m)
DST3	Metal sampling tube duct widths 2 ft to 4 ft (0.6 to 1.2 m)
DST5	Metal sampling tube duct widths 4 ft to 8 ft (1.2 to 2.4 m)
DST10	Metal sampling tube duct widths 8 ft to 12 ft (2.4 to 3.7 m)
DH400OE-1	Weatherproof enclosure
ETX	Metal exhaust tube duct width 1ft (0.3m)
M02-04-00	Test magnet
P48-21-00	End cap for metal sampling tubes
RA400Z	Remote annunciator alarm LED
RTS451	Remote test station
RTS451KEY	Remote test station with key lock



3825 Ohio Avenue • St. Charles, IL 60174
 Phone: 800-SENSOR2 • Fax: 630-377-6495

©2008 System Sensor.
 Product specifications subject to change without notice. Visit systemsensor.com for current product information, including the latest version of this data sheet.
 A05-0422-000 • 7/08 • #1839